

# Luggage Type Laser Cleaning Machine



Good Portability



Compact Design



Flexible Operation

## We Promise



2-year Warranty



Lifelong Technical Support

## Product Features

**01**

### Effective Laser Source

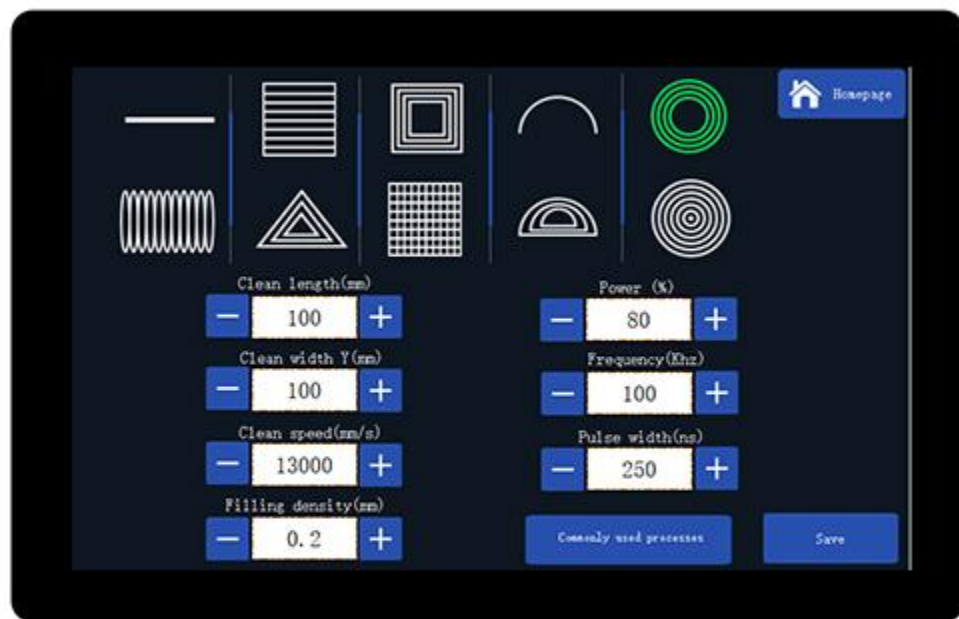
With perfect laser characteristics and good pulse shape control. Ranges of laser pulse frequency and pulse duration are wide and can be independently controllable. High peak power can be achieved, that is suitable for more laser processing applications.



02

## Professional Cleaning System

Professional galvanometer scanner, with fast speed and stable performance. Dual optic beam and multiple cleaning modes can cope with different cleaning requirements and needs. More portable cleaning head, only 1.5kg.



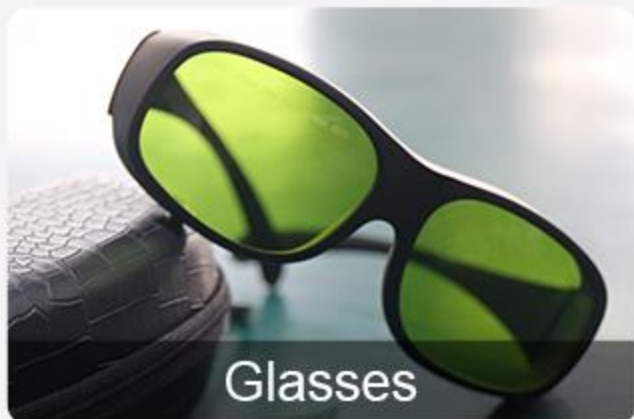
**03**

## Compact and Durable Design

The case is made of aluminium and sheet metal, more solid and durable. Structure is more compact and delicate. Whole machine has past vibration test, applicable for different working environment.



## Standard Accessories

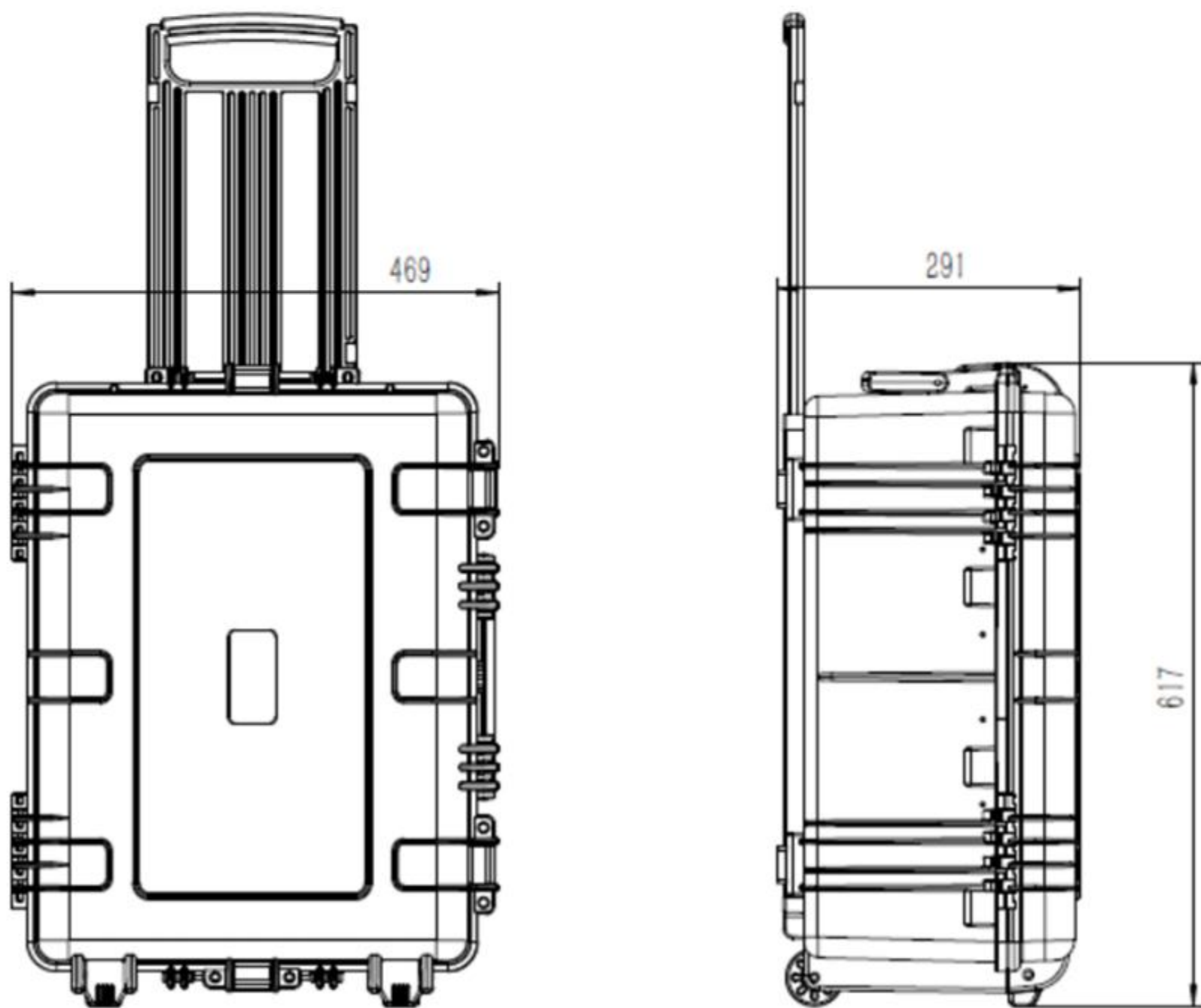


## Optional Accessories



# Product Information

## Dimension



## Product Parameters

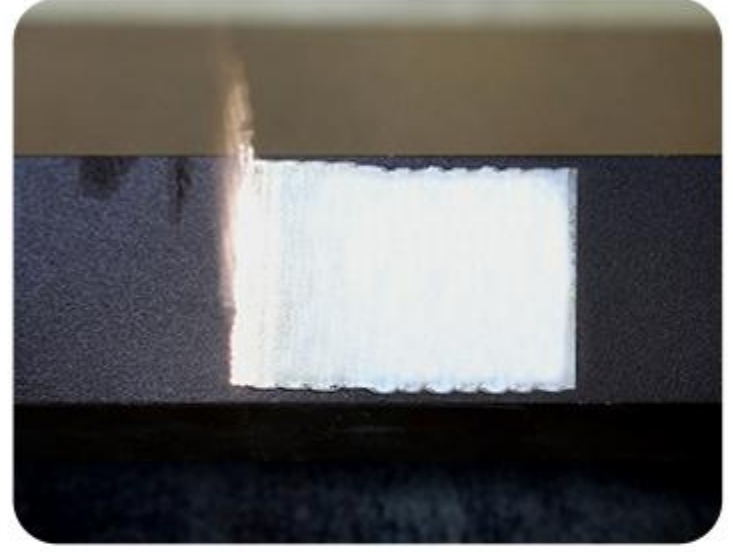
Model	MRJ-FL-C100L/C200L/C300L	Laser Power	100W/200W/300W
Pulse Energy	1.5mJ / 5mJ / 10mJ	Laser Wavelength	1064nm
Touch Screen	7 inch	Clean Head Weight	1.5kg
Machine Weight	About 30kg	Cleaning Modes	Dual-axis
Cooling Method	Air Cooling	Operating Humidity	10% to 80%
Working Temperature	0°C - 45°C	Power Consumption	1500W
Storage Temperature	-10°C - 60°C	Machine Size	469*291*617mm
Focal Length	F=160mm / F=254mm / F=300mm (customizable)		
Cable Length	5m (customizable, 8 meters at most)		
Input Power	110 - 240VAC, 50/60Hz		

# Cleaning Samples

Rust Removal



Paint Removal



Oxides Removal



Oil Stain Removal



Mold Cleaning



Weld Seam Cleaning



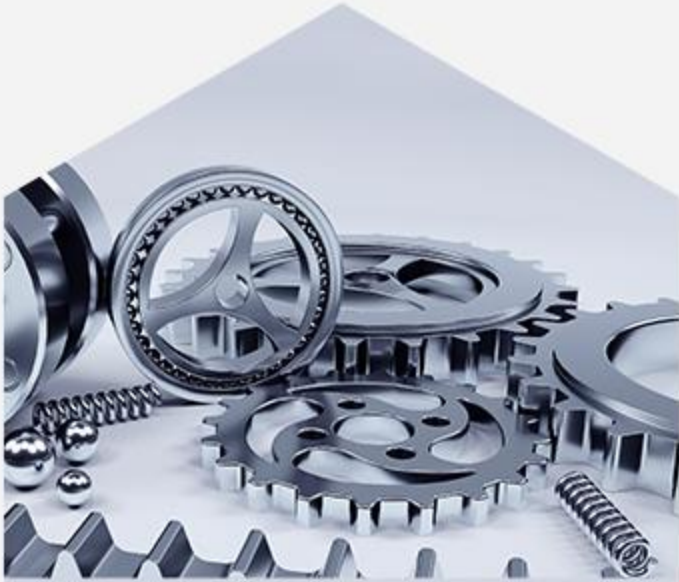
Stone Cleaning



Wood Cleaning



# Applicable Fields



Manufacturing and  
Processing



Automobile Restoration



Furniture Restoration



Railway Maintenance



Aircraft Maintenance

More...